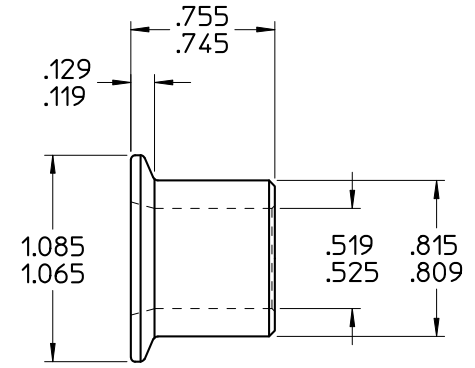
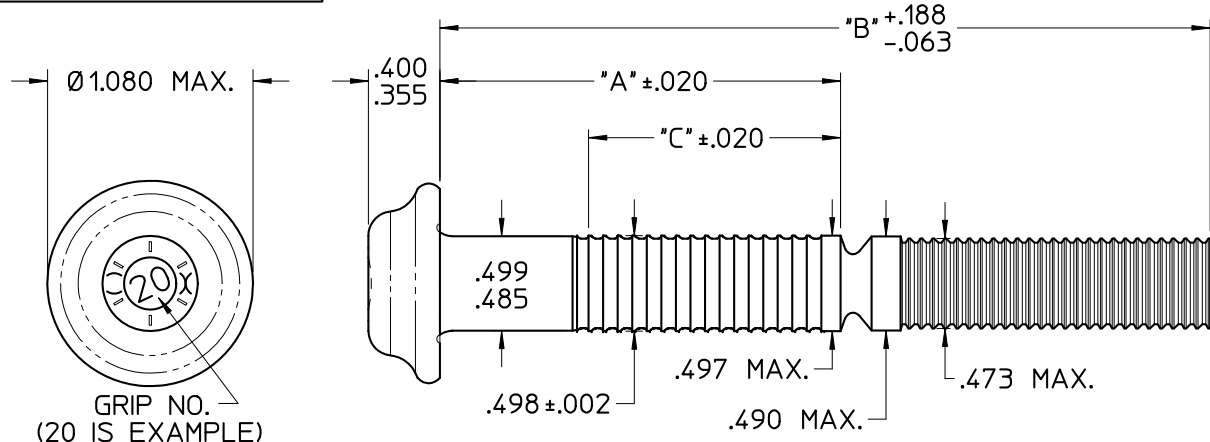


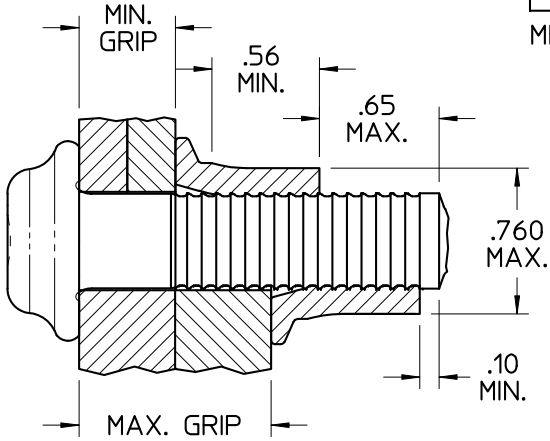
INDEX 9212-C



GRIP NO.  
(20 IS EXAMPLE)

PIN: HP8F-DT16-( )  
MEDIUM CARBON ALLOY STEEL

COLLAR: HPCF-R16  
LOW CARBON STEEL



| INSTALLED VALUES |            |
|------------------|------------|
| MIN. SHEAR       | 17,350 LBS |
| MIN. TENSILE     | 21,300 LBS |
| MIN. CLAMP       | 16,000 LBS |

INSTALLED FASTENER

| GRIP NO. | "A"   | "B"   | "C"   | GRIP RANGE       |
|----------|-------|-------|-------|------------------|
| GRIP-6X  | 1.500 | 3.260 | 1.186 | 1/4" TO 5/8"     |
| GRIP- 8  | 1.625 | 3.550 | 1.311 | 1/4" TO 3/4"     |
| GRIP-12  | 1.875 | 3.800 | 1.311 | 1/2" TO 1"       |
| GRIP-16  | 2.125 | 4.050 | 1.311 | 3/4" TO 1-1/4"   |
| GRIP-20  | 2.375 | 4.300 | 1.311 | 1" TO 1-1/2"     |
| GRIP-28  | 2.875 | 4.800 | 1.311 | 1-1/2" TO 2"     |
| GRIP-32  | 3.125 | 5.050 | 1.311 | 1-3/4" TO 2-1/4" |
| GRIP-36  | 3.375 | 5.300 | 1.311 | 2" TO 2-1/2"     |
| GRIP-40  | 3.625 | 5.550 | 1.311 | 2-1/4" TO 2-3/4" |
| GRIP-44  | 3.875 | 5.800 | 1.311 | 2-1/2" TO 3"     |
| GRIP-52  | 4.375 | 6.300 | 1.311 | 3" TO 3-1/2"     |
| GRIP-60  | 4.875 | 6.800 | 1.311 | 3-1/2" TO 4"     |

1 DIMENSIONING SYMBOLS: DIM IN ( ) = REF.  
T.I. = THEORETICAL INTERSECTION.

NOTES:

|     |                               |       |         |          |          |
|-----|-------------------------------|-------|---------|----------|----------|
| 08  | REVISED PER PCN W3698.        | RLK   | LM      | SW       | 03-08-12 |
| 07  | ADDED GRIP -6X PER PCN W3118. | RLK   | LM      | BM       | 3-18-05  |
| 06  | ADDED -32 GRIP PER PCN W2293. | JZL   | ABT     | BM       | 6-2-98   |
| REV | DESCRIPTION & PCN             | DRAWN | CHECKED | APPROVED | DATE     |

COORDINATION DRAWING FOR:  
HP8F-DT16-( )  
AND  
HPCF-R16



\*This drawing, the structural design disclosed therein, and the technical data and engineering service represented thereby are the exclusive property of Huck International Inc. It is to be returned to Huck upon written request and is not to be reproduced in whole or in part or disclosed to any one else without the express written consent of Huck.\*

UNLESS OTHERWISE SPECIFIED,  
TOLERANCES ARE:  
.XXX .XX  
±.010 ±.02

MATERIAL:  
PIN: NOTED  
SLEEVE: NOTED

SCALE:  
1X

Commercial Products  
8001 Imperial Drive (P.O. Box 8117)  
Waco, TX 76714-8117  
800-388-4825 / 254-776-2000

INDEX 9212-C