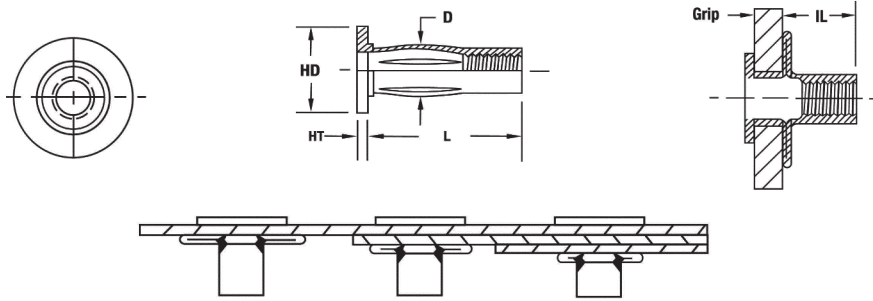


# CPB PREBULBED SLOTTED BODY SERIES



Installs into single, variable, or multiple thickness materials.

## CPB SERIES



### UNIFIED THREAD (UNIT - INCHES)

Part Number (Steel)	Thread Size	Grip Range		HD		L ±.015	HT ±.005	D Max.	IL Ref.	Hole Size +.006/-000
		Min.	Max.	Min.	Max.					
CPB2-1024-175	10-24 UNC	.020	.175	.490	.510	.828	.038	.329	.410	.336
CPB2-1024-320	10-24 UNC	.175	.320	.490	.510	.921	.038	.329	.410	.336
CPB2-1032-175	10-32 UNF	.020	.175	.490	.510	.828	.038	.329	.410	.336
CPB2-1032-320	10-32 UNF	.175	.320	.490	.510	.921	.038	.329	.410	.336
CPB2-2520-280	1/4-20 UNC	.020	.280	.610	.645	1.000	.059	.382	.505	.390
CPB2-2520-500	1/4-20 UNC	.280	.500	.610	.645	1.234	.059	.382	.505	.390
CPB2-3118-280	5/16-18 UNC	.020	.280	.740	.770	1.141	.062	.495	.570	.500
CPB2-3118-500	5/16-18 UNC	.280	.500	.740	.770	1.375	.062	.495	.570	.500

- The CPB series offers a large grip range for installation into single, variable or multiple thickness materials.
- Large backside footprint provides increased pull out resistance.
- Designed to be installed in thin plastics without distorting the base material.

### METRIC THREAD (UNIT - MILLIMETERS)

Part Number (Steel)	Thread Size	Grip Range		HD		L ±.0.38	HT ±.0.13	D Max.	IL Ref.	Hole Size +.15/-000
		Min.	Max.	Min.	Max.					
CPB2-580-4.45	M5x0.8 ISO	0.50	4.45	12.45	12.95	21.03	0.96	8.35	10.00	8.55
CPB2-580-8.1	M5x0.8 ISO	4.45	8.10	12.45	12.95	23.80	0.96	8.35	10.00	8.55
CPB2-610-7.1	M6x1.0 ISO	0.50	7.10	15.50	16.38	25.40	1.50	9.70	12.80	10.00
CPB2-610-12.7	M6x1.0 ISO	7.10	12.70	15.50	16.38	31.32	1.50	9.70	12.80	10.00
CPB2-8125-7.1	M8x1.25 ISO	0.50	7.10	18.80	19.65	28.95	1.57	12.57	14.48	12.70
CPB2-8125-12.7	M8x1.25 ISO	7.10	12.70	18.80	19.65	34.90	1.57	12.57	14.48	12.70

### PART NUMBERING SYSTEM

#### CPB Specifications

##### Material:

Steel 1008/1010

Aluminum 5056

##### RoHS Compliant Finishes:

Zinc Plated-Yellow Trivalent Chromate per Sherex SFS-01-001, SC2

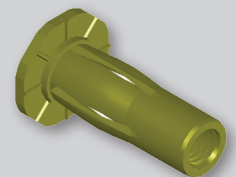
Zinc Plated-Clear Trivalent Chromate per Sherex SFS-01-001

#### Part Number

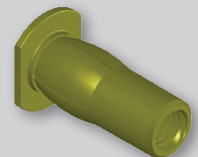
Example: CPB2-2520-280

CPB	2	2520	280	( )
Product Style	2-Steel	Thread Size	Grip Range	Empty-Open End
Slotted Body	3-Aluminum			T-Clear Trivalent
Pre-bulbed				W-Wedge Head
				TR-Trim Head

Special finish or material available upon request



WEDGE HEAD



TRIM HEAD

Grip range can be affected by parent material and hole size. Sherex recommends trials installations to determine the proper grip range for the application. Contact Sherex for details. Contact Sherex for test data.

#### INSTALLATION TOOLING

CPB Series can be installed with our Hand Tools, Pneumatic Tools, and Hydro-Pneumatic Tools. For additional tooling information see pages 41-45.

Sherex rivet nuts are compatible with the following hardware:

**GRADE 2, GRADE 5, CLASS 8.8 and CLASS 9.8**

Please contact Sherex when using other grade fasteners.